

2. Installation

Selecting a Location for your Terminal

Select a location for your TRANZ 330 that is convenient for the operator and offers adequate ventilation and protection. In general, avoid areas with:

- excessive heat;
- oil or moisture;
- excessive dust;
- excessive electrical noise (caused by air conditioners, motors, fans, neon signs, or power tools);
- direct sunlight;
- artificial light that could reflect glare off the display panel.

Unpacking

Carefully inspect the shipping carton and its contents for shipping damage. If the TRANZ 330 is damaged, file a claim immediately with the shipping company or carrier and notify VeriFone, Inc. Do not use a damaged terminal.

1. Remove all the items from the carton. You should have:
 - The TRANZ 330 terminal;
 - A telephone line cord;
 - A power pack with a six-foot cord.

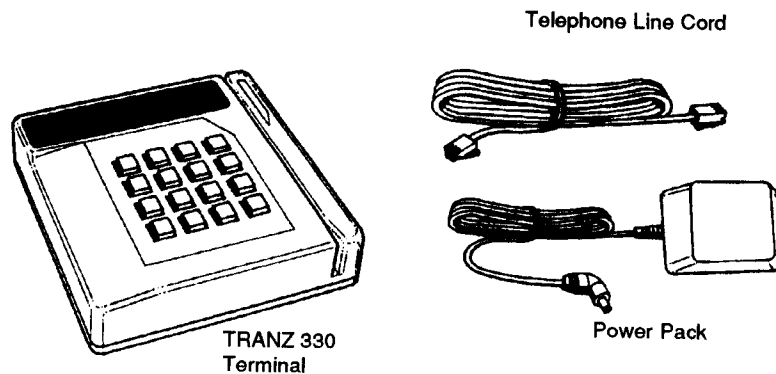


Figure 2-1 TRANZ 330 Components

2. Remove any protective plastic wrapping from the terminal and place all the components on a table or counter top.
3. Remove the plastic strip from the card reader slot. This strip protects the card reader during shipment.
4. Save the carton and packing material for repacking or moving the terminal in the future.

Telephone Line Connection

1. Connect one end of the telephone line cord to one of the two modular jacks on the rear of the terminal. Both jacks perform the same function so it doesn't matter which one you use.
2. Connect the other end of the line cord to your RJ11 type modular telephone wall jack. If you do not have a modular wall jack, obtain an adapter from your local telephone company.

Connecting a Standard Telephone (optional)

1. Connect one end of the telephone's line cord to the unused modular jack on the rear of the terminal.

Note: You must use a fully-operational telephone, not just a handset.

2. If the other end of the cord is not already connected to the telephone, connect it at this time.
3. If your telephone requires additional connections, such as a handset or power supply, refer to the instructions supplied with the telephone when connecting these components.

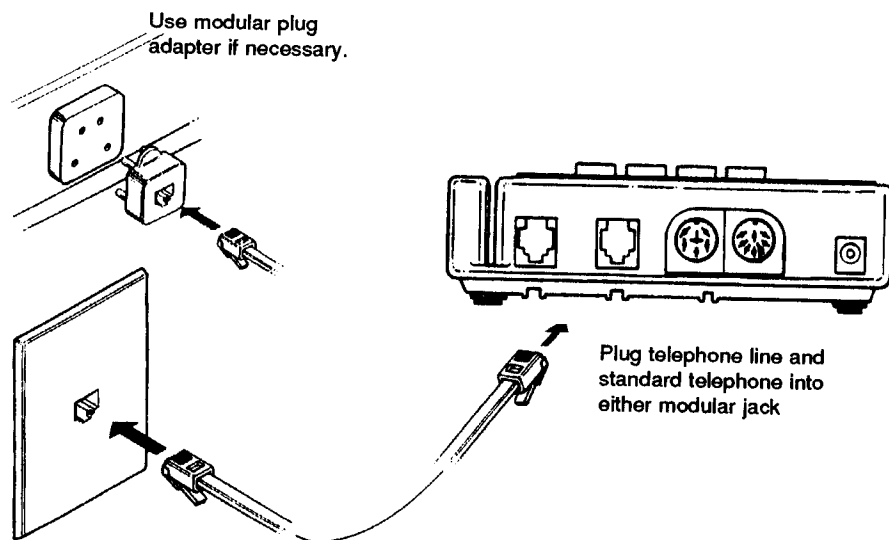


Figure 2-2. Telephone Line Connections

Connecting the Printer 150 (optional)

The VeriFone Printer 150 is a compact slip printer that is ideal for printing receipts, logs, settlement reports and other transaction data on plain paper or forms as thick as 5-ply. The following instructions are for connecting the Printer 150 to the TRANZ 330 terminal. Follow the instructions supplied with the printer for unpacking the printer, inserting paper and ink ribbons, and maintenance. The interface cable to use is VeriFone part number 10465-XX for standard mode or 10392-XX for Printer 100 emulation mode.

Warning: Before installing the Printer 150, be sure the TRANZ 330 terminal is not plugged into a power source.

1. Connect the small plug from the printer power pack to the power connector on the rear of the Printer 150.
2. Remove the ground screw from the rear of the printer. Put the screw through the ground wire lug and screw it back into the printer.
3. Plug the interface cable into the DB25 connector on the rear of the printer. Tighten the thumbscrews to secure the cable to the printer.
4. Plug the other end of the cable into your terminal's RS-232 port.
5. Plug the female connector of the AC power cord into the rear of the power pack.
6. Plug the power cord plug into an indoor, grounded 120 volt AC outlet and turn the power switch on. Do not install or operate the Printer 150 outdoors.

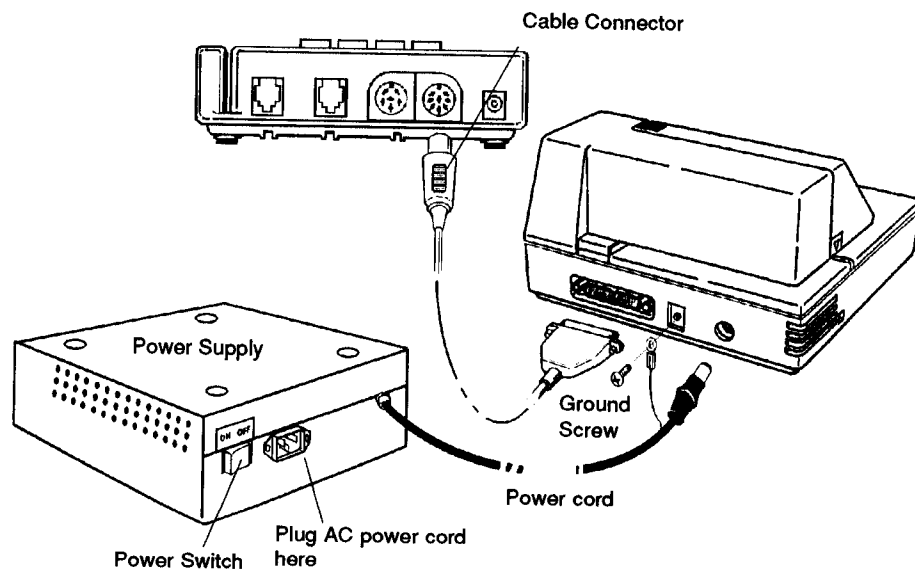


Figure 2-3. Printer 150 Connections

Connecting the Printer 250 (optional)

The VeriFone Printer 250 is a compact roll printer that is ideal for printing receipts, logs, settlement reports and other transaction data on plain roll paper or 2-ply carbonless roll paper. The following instructions are for connecting the Printer 250 to the TRANZ 330. Follow the instructions supplied with the printer for unpacking, inserting paper and ink ribbons and maintenance. The interface cable to use is VeriFone part number 10448-XX (straight connector) or 10454-XX (90-degree connector).

Warning: Before installing the Printer 250, be sure the TRANZ 330 terminal is not plugged into a power source.

1. Connect the 4-pin mini-DIN plug from the printer power pack to the power connector on the right-hand side of the Printer 250 rear panel.
2. Plug the Printer 250 power pack into an indoor, grounded 120 volt AC outlet. Do not install or operate the Printer 250 outdoors.
3. Plug the 8-pin mini-DIN connector on the printer interface cable into the communications port on the left-hand side of the Printer 250 rear panel.

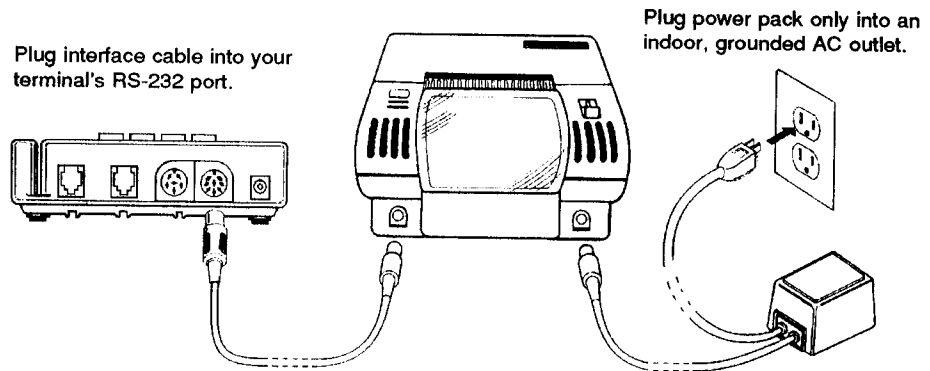


Figure 2-4 Printer 250 Connections

Connecting the Printer 500 (optional)

The VeriFone Printer 500 is a high performance dot-matrix printer for use with VeriFone transaction microcomputers and terminals. It has a connector for an optional cash drawer, several paper feed options and can print on precut paper slips, continuous paper rolls, or both.

Refer to the Printer 500 Installation Guide supplied with the printer for instructions on inserting paper, the ink ribbon cassette, and setting DIP switches. Follow these steps to connect the Printer 500 to a TRANZ 330 terminal.

1. Ensure that both terminal and printer power is turned off.
2. Insert the 8-pin mini-DIN plug on the printer interface cable into the RS-232 connector on the right side of the Printer 500 rear panel.
3. Plug the other end of the cable into the terminal's RS-232 or printer serial port.
4. Insert the 3-pin mini-DIN plug from the printer power pack into the power connector on the left side of the Printer 500 rear panel.
5. If your power pack has a separate removable AC power cord, plug the cord into the power pack.
6. Insert the male plug on the AC power cord into a grounded, indoor 120 volt AC outlet.

WARNING: Do not plug the power pack into an outdoor outlet or operate the printer outdoors.

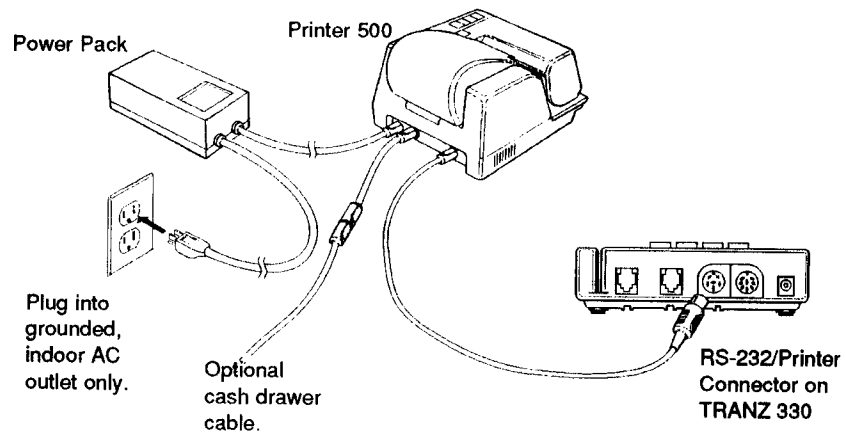


Figure 2-5. Printer 500 Connections

Connecting the Printer 600 (optional)

The VeriFone Printer 600 is a very economical thermal dot-matrix printer that can be used with VeriFone transaction microcomputers and terminals and can operate on both horizontal or vertical surfaces. Follow the Printer 600 Installation Guide instructions supplied with the printer for inserting the thermal paper roll, setting the DIP headers, and mounting the printer vertically. The following instructions are for connecting the Printer 600 to the TRANZ 330.

CAUTION: Unplug the terminal's power pack before connecting the printer.

1. Plug the 8-pin mini-DIN connector on the printer interface cable into the RS-232 connector on the left-hand side of the Printer 600 rear panel.
2. Plug the other end of the cable into your terminal's RS-232 or printer port.
3. Plug the Printer 600 power pack into an indoor, 120 volt AC outlet.
4. Plug the end of the power pack cord into the power connector on the Printer 600.

CAUTION: Do not use an outdoor outlet or operate the Printer 600 outdoors.

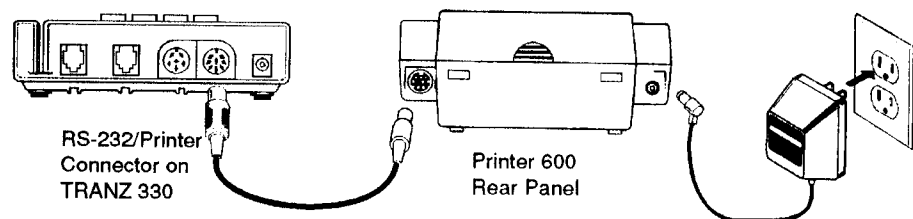


Figure 2-6. Printer 600 Connections

Connecting the Bar Code Wand (optional)

1. Connect the plug on the bar code wand to the PIN Pad/Bar Code port on the rear of the TRANZ 330 terminal, as shown in Figure 2-7.

Warning: Before connecting the bar code wand, be sure the TRANZ 330 terminal is not plugged into a power source.

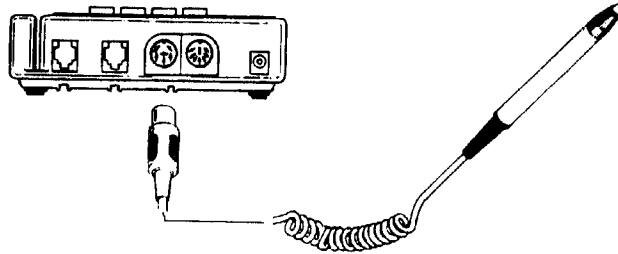


Figure 2-7. Bar Code Wand Connection

Connecting the PIN Pad 201 (optional)

1. Connect the modular plug on the PIN pad cable to the modular jack on the rear of the PIN pad.
2. Connect the 6-pin DIN plug on the other end of the cord to the PIN Pad/Bar Code port on the rear of the TRANZ 330 terminal.

Warning: Before connection the PIN Pad, be sure the TRANZ 330 terminal is not plugged into a power source.

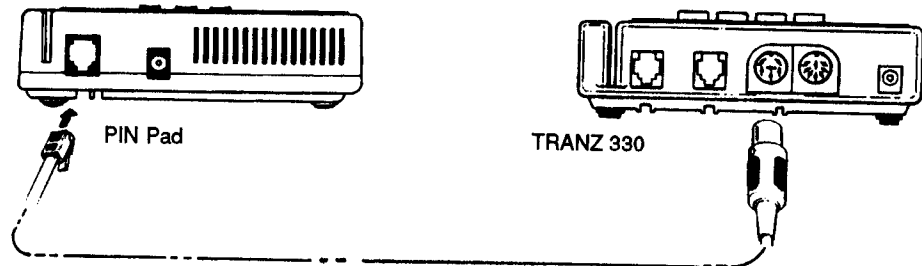


Figure 2-8 PIN Pad 201 Connections

Connecting the PIN Pad 101 (optional)

WARNING: Unplug the TRANZ 330 power pack before connecting the PIN Pad.

The PIN Pad 101 rear panel has a modular, 4-wire interface port for power and communication connection to the TRANZ 330 terminal.

1. Connect the modular plug on the PIN Pad cable to the modular jack on the rear of the PIN Pad.
2. Connect the other end of the cable to the PIN Pad port on the rear of the terminal.
3. Spread the grommet open and put it on the cord with the narrow end facing the PIN Pad.
4. Slide the grommet up the cord and push its narrow end into the modular jack. When properly installed, the grommet should fit flat against the rear of the PIN Pad.

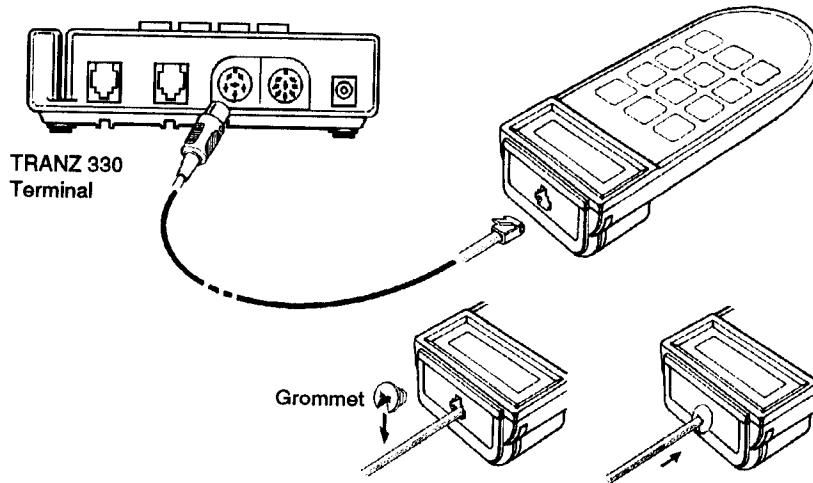


Figure 2-9. PIN Pad 101 Connections

Connecting the Terminal Power Pack

1. Attach the small plug on the power pack cord to the power pin on the rear of the terminal.
2. Plug the two-prong AC connector from the power pack into an indoor 120 volt AC outlet.

Warning: Do not plug the power pack into an outdoor outlet or operate the TRANZ 330 terminal outdoors. Disconnecting the power source during processing may cause program corruption and/or loss of data capture files.

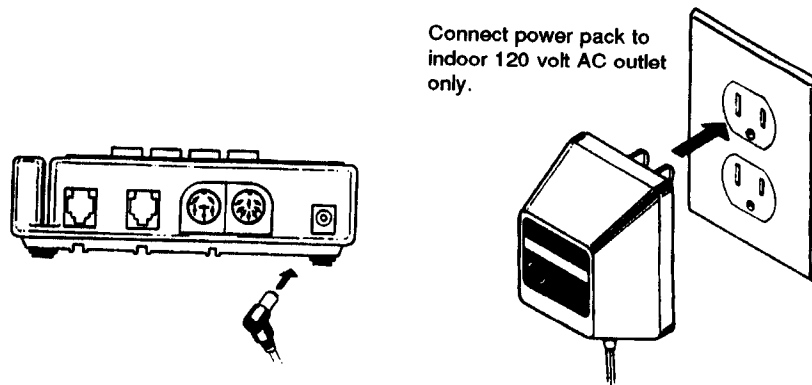


Figure 2-10. Power Pack Connections

Routing Cords in the Cable Channels (optional)

The cable routing channels, located underneath the terminal, allow you to hang the power and modular line cords from the front of the terminal instead of the rear.

1. Turn the TRANZ 330 terminal upside down and locate the cable channels. (See Figure 2-11.)
2. Insert a section of each cable into the channel closest to the cable plug. Be sure that the cords are straight and nested securely in the channels.
3. Turn the terminal right side up and place it back in its original position with the cords neatly out of the way.

Insert cords in these channels.

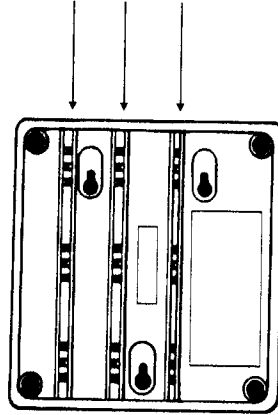


Figure 2-11 Cable Routing Channels